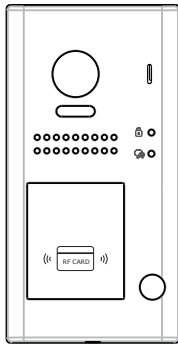


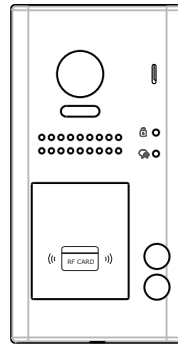
2 WIRE SYSTEM

DT607C/ID Series

USER MANUAL



DT607C/ID-S1



DT607C/ID-S2

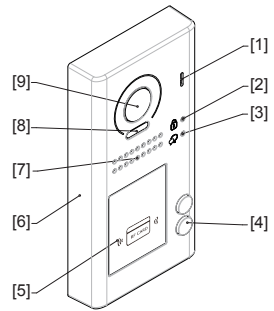
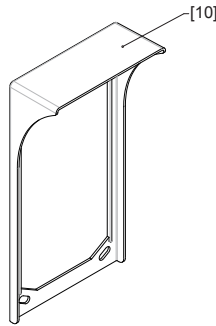
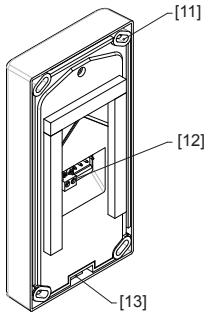
- Please read this manual carefully to ensure safe and correct operation.
- Keep this manual well for future reference.

CONTENTS

PARTS AND FUNCTIONS	1
Part Names.....	1
Mounting.....	1
External Motion Detection	2
SETUP INSTRUCTIONS	3
Functions Setting Up	3
Setting Door Station Address	4
Setting Unlock Mode	5
Setting Unlock Time.....	5
Setting Nameplate Illumination Mode.....	6
Setting Night View LED Illumination Mode.....	6
Setting Ring-back Tone	7
Registering ID Card.....	7
WIRING	10
Connecting Electric Lock (NOT RECOMMENDED). See Next page	10
One Apartment Connection (IN-OUT wiring).....	12
Two Apartment Connection (IN-OUT wiring).....	13
Connecting Multi Indoor Monitors (IN-OUT wiring).....	13
Connecting Multi Indoor Monitors	14
Connecting Multi Door Stations.....	14
APPENDIX	15
Precautions.....	15
Specification	15
Cables and Requirments.....	16

PARTS AND FUNCTIONS

Part Names



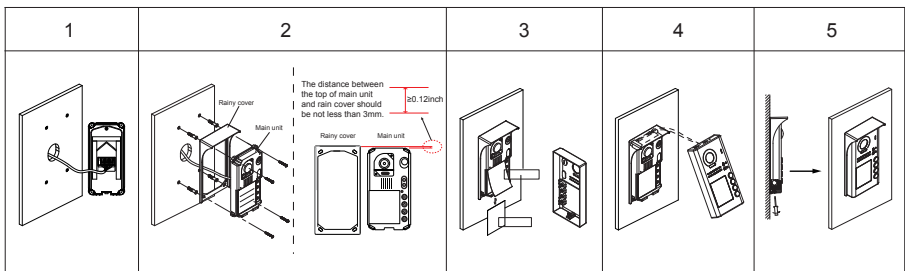
- [1] Microphone
- [2] UNLOCK indicator
- [3] CALL indicator
- [4] Call button
- [5] Nameplate

- [6] Front panel
- [7] Speaker
- [8] Night view LED
- [9] Camera lens

- [10] Rainy cover
- [11] Mounting hook
- [12] Connection port
- [13] Screw hole

Mounting

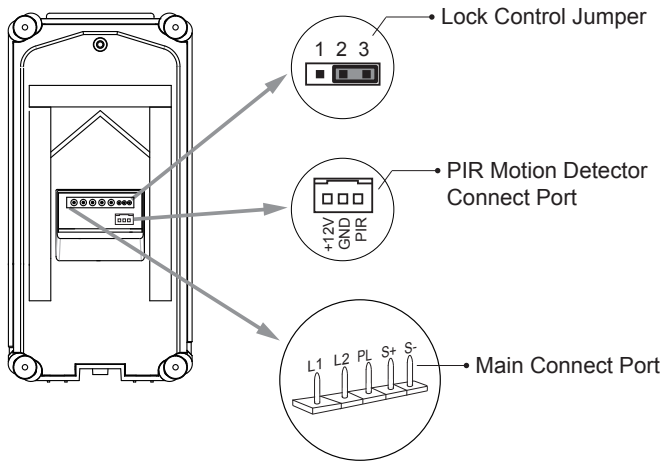
The installation height is suggested to 57.09~62.99 inch.



1. Connect the cable correctly.
2. Drill holes in the wall to match the size of screw stoppers, then attach the rainy cover and main unit to the wall, and the distance between the top of main unit and rain cover should be not less than 0.12 inch.
3. Install the name plate.
4. Attach the front panel to the main unit.
5. Use the special screwdriver and the screws to fix the panel.

PARTS AND FUNCTIONS

Terminal description



Lock Control Jumper: To select the lock type.

Motion Detector Connect Port: To connect external PIR motion detector.

Main Connect Port: To connect the bus line and the electronic locks.

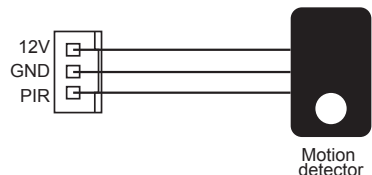
- **L1,L2:** Connect to the bus line, no polarity.
- **PL:** External lock power input, connect to the power positive(power +).
- **S+:** Lock power(+) output.
- **S-:** Lock power(-) output, connect to the power(-) input of locks(only when using the door station to power the locks, if using the external power supply for the locks, the S- will not be connected).

External Motion Detection

The door station is equipped with a terminal to connect external motion detector.

If the external motion detector is connected to the system, following functions will be effective:

If detect someone passing by, the door station can be activated operation to unlock or turn on light.



* Please contact with supplier for more details about detector connection.

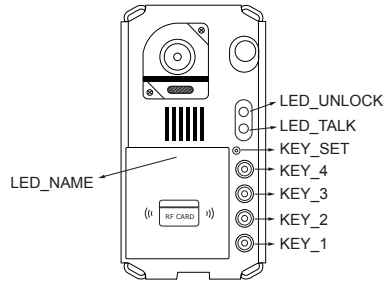
SETUP INSTRUCTIONS

Functions Setting Up

This section explains the settings of each function, please refer to the following table:

To perform the settings for the function you want, you should move away the metal front panel. Please refer to the sketch map.

Each operation is indicated by the lighting up of the **LED** indicator on the unit, and by the sounding of the buzzer.



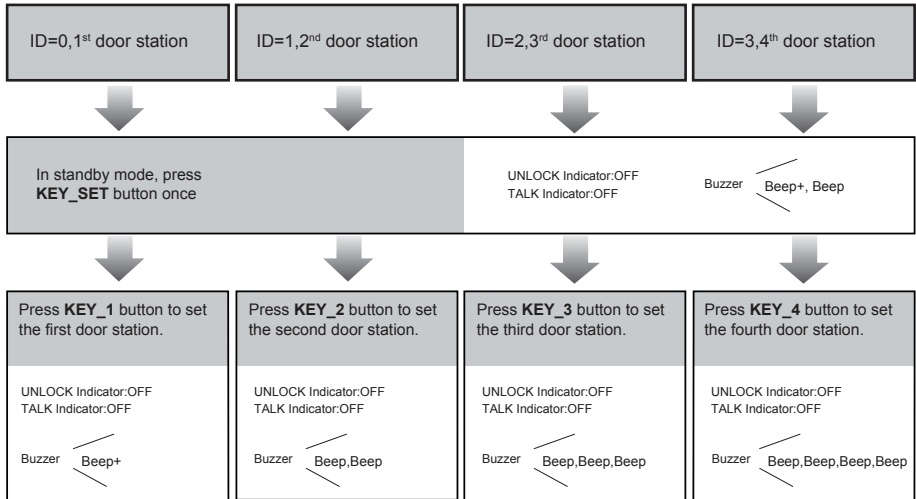
Order	Setting items	Setting range	Default value
1	Setting door station address	0~3	0
2	Setting the unlock mode	0:opened/1:closed	0:opened
3	Setting the unlock time	01 to 99 seconds	1 seconds
4	Setting the nameplate illumination mode	On/Off/Auto	On
5	Setting night view LED illumination mode	On/Off/Auto	Auto
6	Setting ring-back tone	Ringing one time Ring continuously No ring-back tone	Ringing one time

SETUP INSTRUCTIONS

Setting Door Station Address

Total 4 addresses can be configured. It can be modified either before or after installation.

0 is default, to change the setting, please follow the steps:



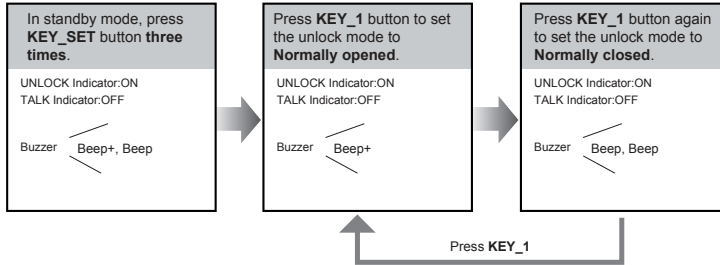
- If setting mode has not been exited, you can change the address of door station by pressing KEY1~4 freely.
- The **LED_NAME** indicator will always blink until exit out the setting mode.
- If without any operation in 10 seconds, it will exit out setting mode automatically.
- In this step, press **KEY_SET** button four times to exit out the setting mode manually.

SETUP INSTRUCTIONS

Setting Unlock Mode

There are 2 unlock modes, **Normally opened** and **Normally closed**.

Normally opened is default, to change the setting, please follow the steps:

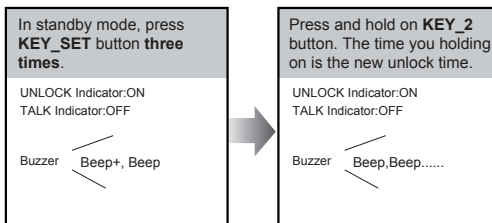


- If setting mode has not been exited, you can change the unlock mode by pressing KEY1 circularly.
- The **LED_NAME** indicator will blink all the time until exit out the setting mode.
- If without any operation in 10 seconds, it will exit out setting mode automatically.
- In this step,press **KEY_SET** button twice to exit out the setting mode manually.

Setting Unlock Time

By default, the unlock time is 5 seconds, but it can be changed,the setting range is 1s~99s.

Follow the steps:

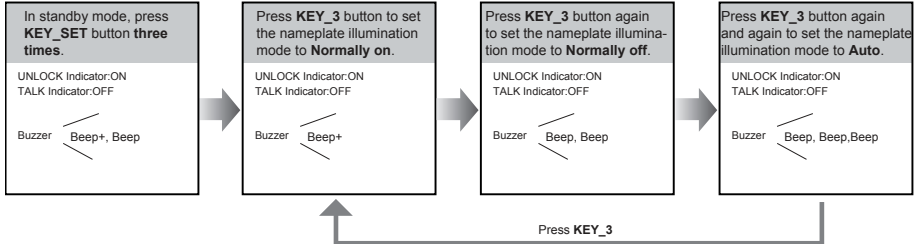


- When entering time delayed setting, the buzzer sound one time every second.
- The **LED_NAME** indicator will blink all the time until exit out the setting mode.
- If without any operation in 10 seconds, it will exit out setting mode automatically.
- In this step,press **KEY_SET** button twice to exit out the setting mode manually.

SETUP INSTRUCTIONS

Setting Nameplate Illumination Mode

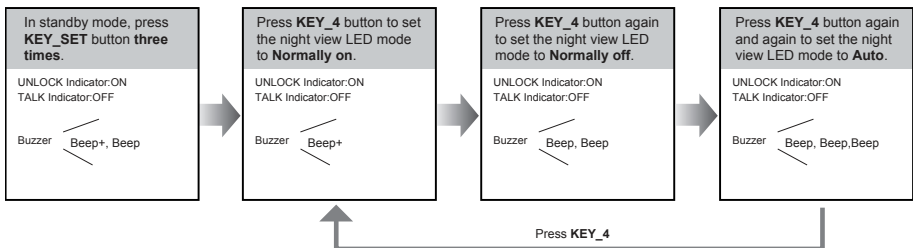
There are 3 illumination modes for nameplate indicator, **Normally on**, **Normally off** and **Auto**. Normally on is default, to change the setting, please follow the steps:



- If setting mode has not been exited, you can change the nameplate illumination mode by pressing KEY3 circularly.
- The **LED_NAME** indicator will blink all the time until exit out the setting mode.
- If without any operation in 10 seconds, it will exit out setting mode automatically.
- In this step, press **KEY_SET** button twice to exit out the setting mode manually.

Setting Night View LED Illumination Mode

There are 3 working modes for night view LED indicator, **Normally on**, **Normally off** and **Auto**. Auto is default, to change the setting, please follow the steps:



- If setting mode has not been exited, you can change the night view LED illumination mode by pressing KEY4 circularly.
- The **LED_NAME** indicator will blink all the time until exit out the setting mode.
- If without any operation in 10 seconds, it will exit out setting mode automatically.
- In this step, press **KEY_SET** button twice to exit out the setting mode manually.

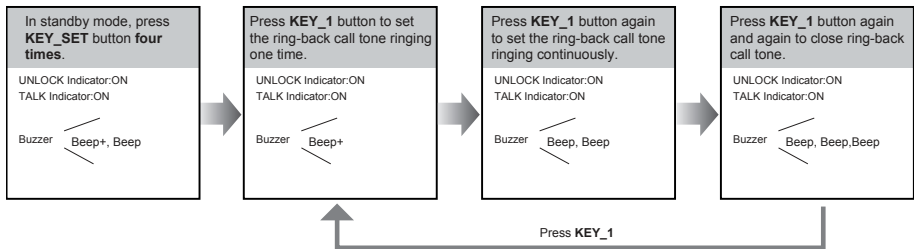
SETUP INSTRUCTIONS

Setting Ring-back Tone

If allow ring-back tone, press the call button to call monitor, a ring-back call tone can be heard from door station.

There are 3 ring-back call tones, **Ringing one time**, **Ringing continuously** and **No ring-back tone**.

Ringing one time is default, to change the setting, please follow the steps:



- If setting mode has not been exited, you can change the ring-back tone by pressing KEY1 circularly.
- The **LED_NAME** indicator will blink all the time until exit out the setting mode.
- If without any operation in 10 seconds, it will exit out setting mode automatically.
- In this step, press **KEY_SET** button once to exit out the setting mode manually.

Registering ID Card

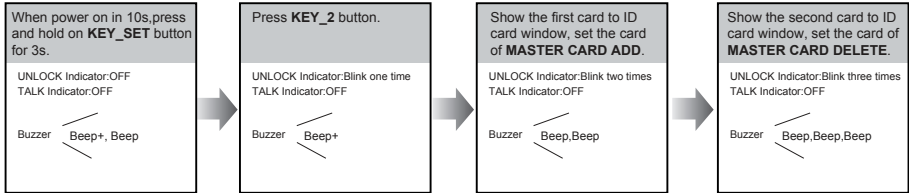
- Up to 320 user cards can be registered by the door station.
- Easy management with LED status and sound hints.
- There are two master cards, one **MASTER CARD ADD** card and one **MASTER CARD DELETE** card, When registered new master cards, the old master cards are invalid automatically.
- Card reading distance is less than 3cm.
- The master cards are necessary when you add or delete user cards. Please keep it well for future use.
- EM card, 125kHz.



SETUP INSTRUCTIONS

Authorizing master cards:

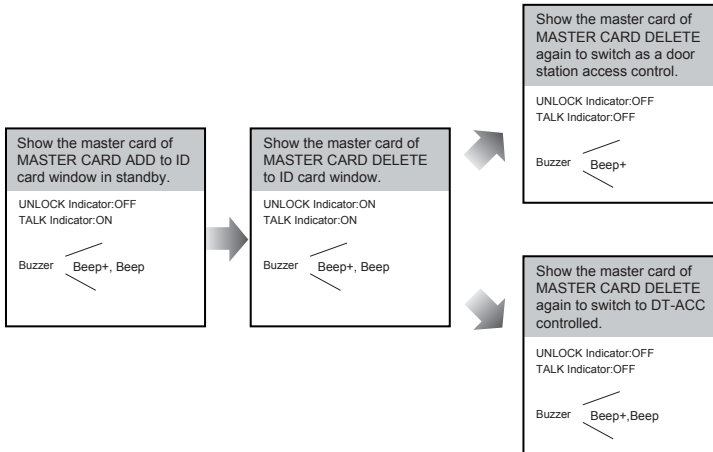
By default, there are two master cards marked **MASTER CARD ADD** and **MASTER CARD DELETE**, but you should know that the master card can be authorized by users at any time. That means any two user cards can be authorized to master cards, When registered new master cards, the old master cards will be invalid automatically.



- The **LED_NAME** indicator will always blink until exit out the master card authorized mode.
- If without any operation in 10 seconds, it will exit out setting mode automatically.
- It will exit out setting mode automatically after showing these two cards, the UNLOCK&TALK indicator will be turned off.

Switching Access Control:

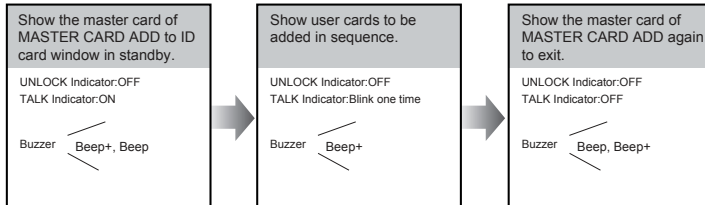
The access can be controlled by door station or DT-ACC, so it's available to switch the access function.



- If without any operation in 10 seconds, it will exit out setting mode automatically.
- If current access is controlled by door station, next access switching setting is controlled by DT-ACC.

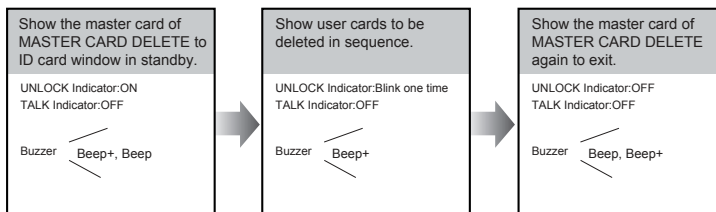
SETUP INSTRUCTIONS

Adding User Cards:



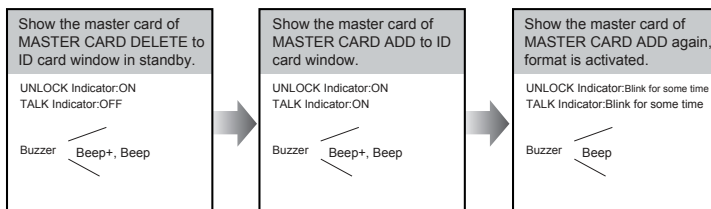
- If without any operation in 10 seconds, it will exit out setting mode automatically.
- To add user card, the access must be controlled by door station.

Deleting User Cards:



- .If without any operation in 10 seconds, it will exit out setting mode automatically.
- To add user card, the access must be controlled by door station.

Initializing Access (delete all user cards):



- If without any operation in 10 seconds, it will exit out setting mode automatically.
- To add user card, the access must be controlled by door station.
- At step3, the UNLOCK & TALK indicator will blink all time until formatting is finished.
- When formatting is finished, UNLOCK & TALK indicator will be turned off and sound " Beep+ ", and exit out setting mode automatically.

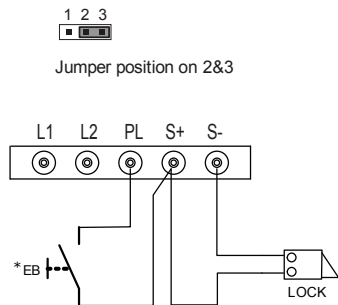
WIRING

Connecting Electric Lock (NOT RECOMMENDED). See Next page.

Note: NOT RECOMMENDED unless the door lock is less than 250mA. Please see next page for HOW TO HOOK UP A DOOR RELEASE.

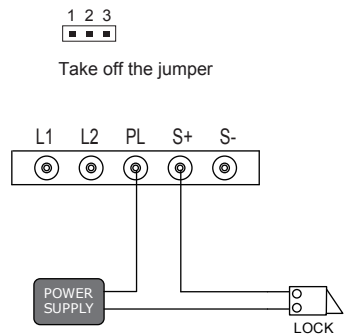
Door Lock Controlled with Internal Power

1. Electronic lock of Power-on-to-unlock type should be used.
2. The door lock is limited to 12V, and holding current must be less than 250mA.
3. The jumper should be placed on position 2 and 3 before connecting.
4. The door lock control is not timed from Exit Button (EB).
5. The **Unlock Mode** must be set to 0 (by default).



Door Lock Controlled with Dry Contact

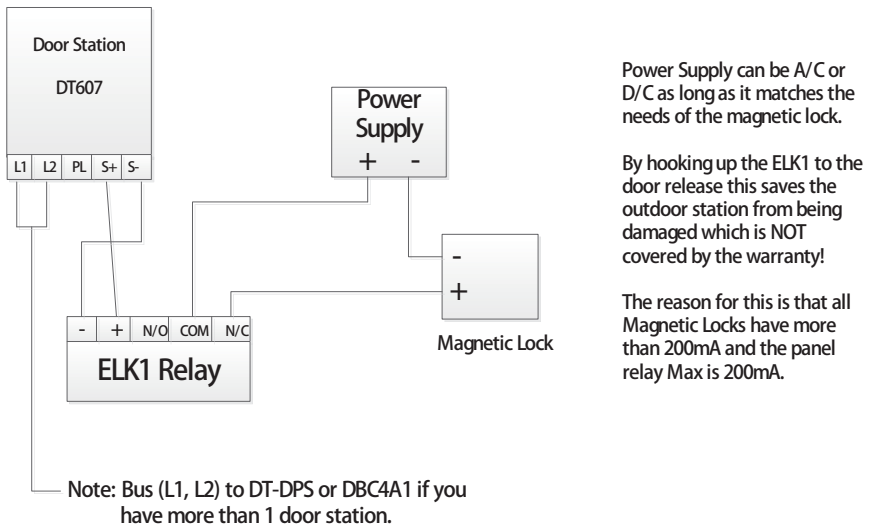
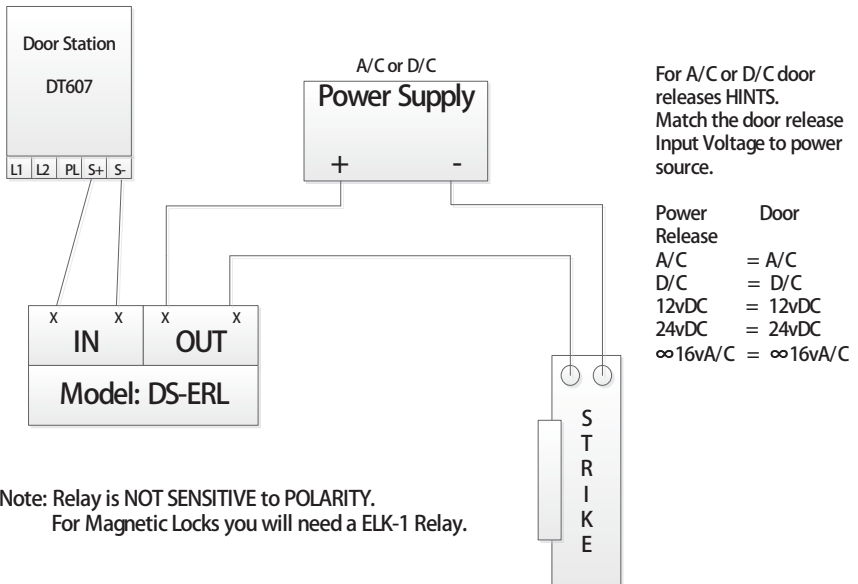
1. The external power supply must be used according to the lock.
 2. The inside relay contact is restricted to 230Vac 1A or 24Vdc 1A.
 3. The jumper must be taken off before connecting.
 4. Setup the **Unlock Mode** according to different lock types.
- Power-on-to-unlock type: Unlock Mode=0 (by default)
 - Power-off-to-unlock type: Unlock Mode=1



* DT-RLC relay actuator is needed for 2nd lock connection.

WIRING

How to hook up a door release



WIRING

Notes:

[1] DT607C/ID-S1 (One button).

The code address of indoor units start at 0-15 (switch all DOWN).

[2] DT607C/ID-S2 (Two buttons)

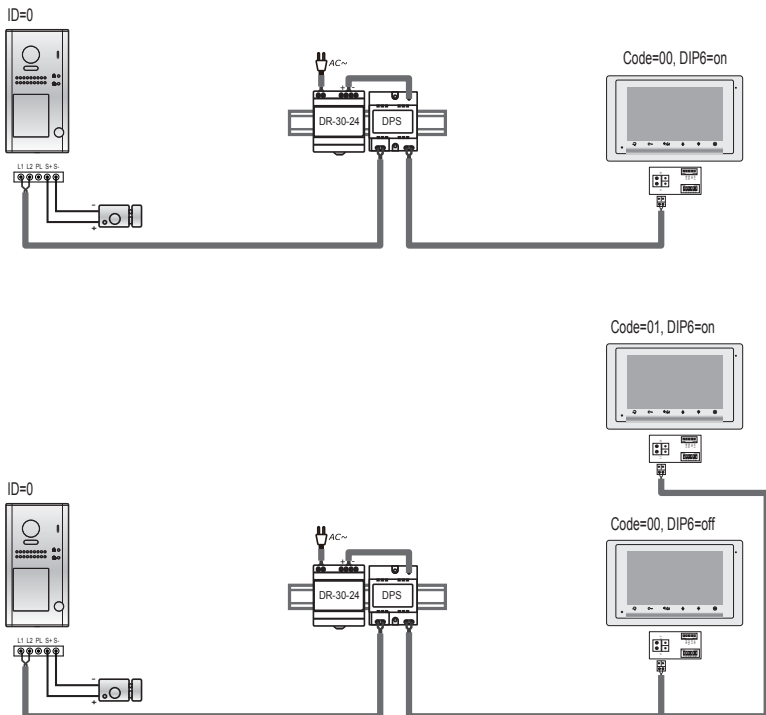
For the first button (from bottom to top), the code address of indoor units start at 0-15 (switch all DOWN).

For the second button, the code address of indoor units start at 16-31 (switch 5 ON).

[3] When use IN-OUT wiring without any distributor, Switch 6 ON for last monitor on the line.

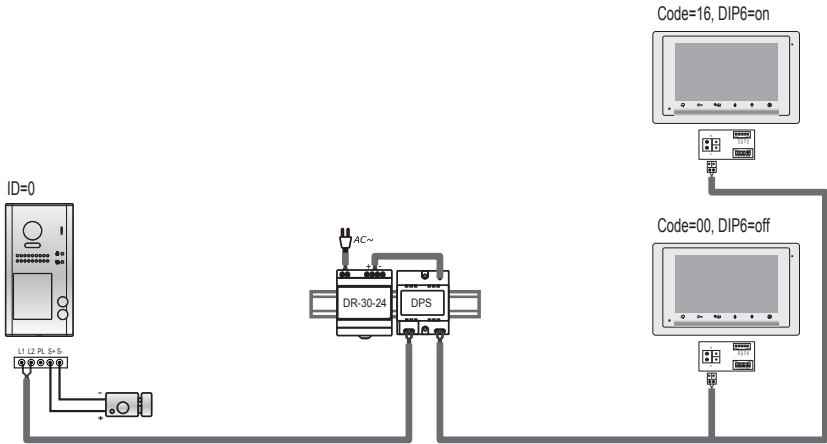
When use Star wiring with distributor (Home run), Switch 6 ON for every monitor.

One Apartment Connection (IN-OUT wiring)

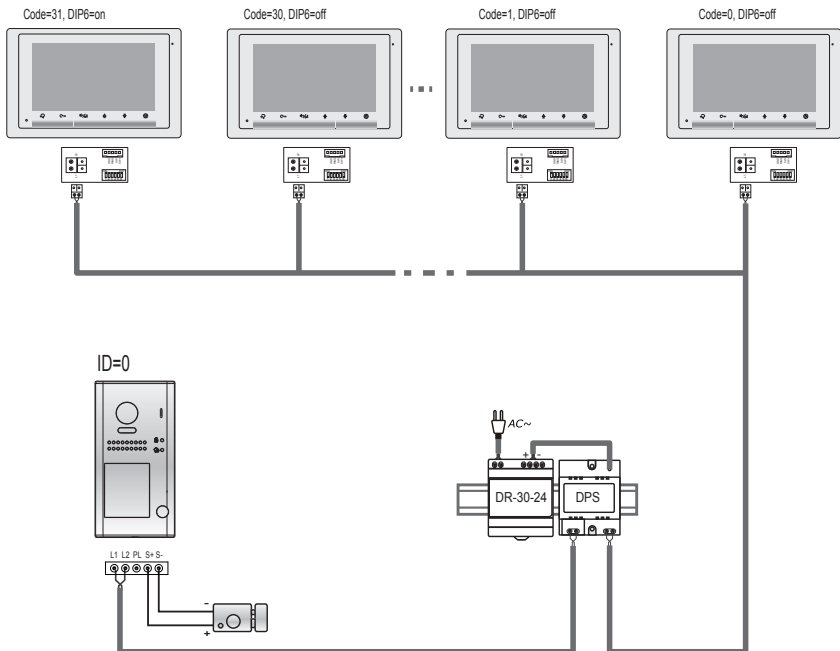


- The door station is also compatible with other monitors which are provided by our company.

Two Apartment Connection (IN-OUT wiring)

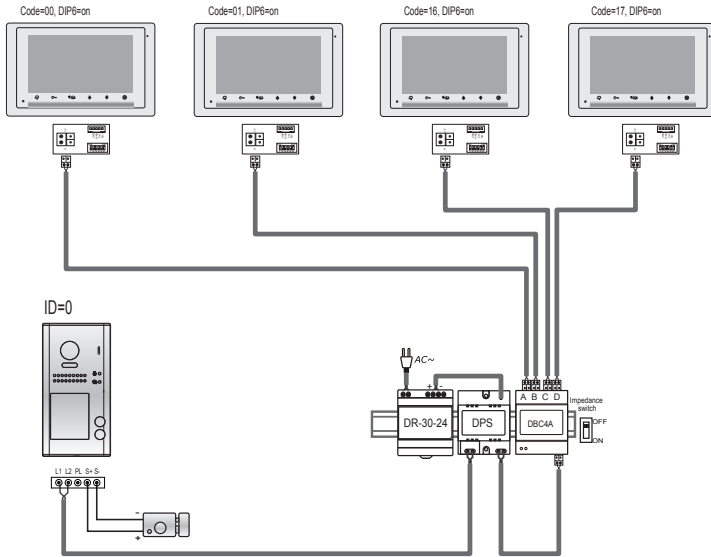


Connecting Multi Indoor Monitors (IN-OUT wiring)

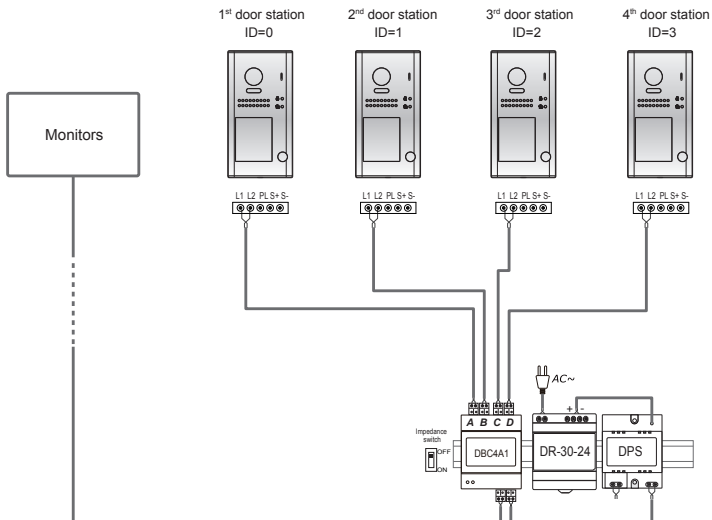


Connecting Multi Indoor Monitors

It can be star wiring (home run with distributor). Please note the distributor DBC4A(1) is not included in the kits.



Connecting Multi Door Stations



APPENDIX

Precautions

- Please clean the unit with soft cotton cloth, don't use the organic impregnant or chemical clean agent. If necessary, please use a little pure water or dilute soap water to clean the dust.
- The unit is weather resistant. However do not spray high pressure water on access control keypad directly. Excessive moisture may cause problems with the unit.
- You must use the right adaptor which is supplied by the manufacture or approved by the manufacture.
- Pay attention to the high voltage inside the products, please refer service only to a trained and qualified professional.

Specification

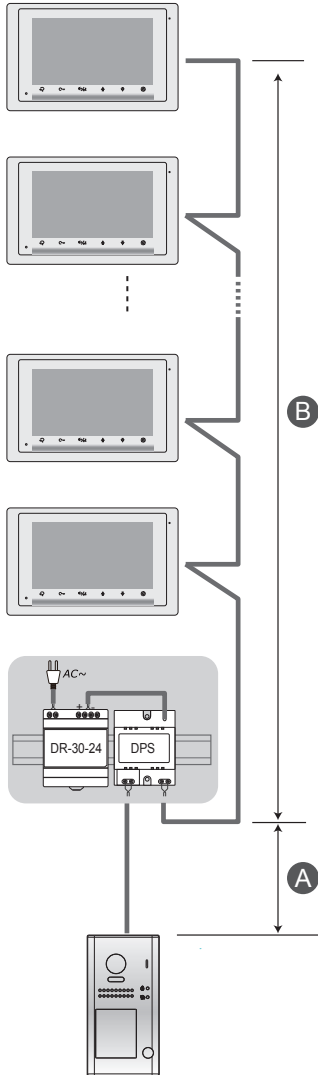
Power supply:	DC 24V
Power consumption:	Standby 0.8W; Working 3W
Camera lens:	Color CMOS, 520TVL 1/4" camera, 105° wide angle
Lock Power supply:	12Vdc, 280mA (Internal Power);
Number of relay circuits:	2 (the second lock need external device to support)
Mounting:	Surface wall-mount
Working temperature:	-20°C ~ +55°C
Protection:	IP54
Material:	Zinc alloy panel
Wiring:	2 wires, non-polarity
Dimension:	6.93(H)×3.54(W)×1.06(D) inch

APPENDIX

Cables and Requirments

The maximum distance of the wiring is limited in the DT system. Using different cables may also affect the maximum distance which the system can reach.

Basic IN-OUT Wiring Mode



When Monitor quantity < 20

Cable Usage	A	B
Twisted cable 2x0.00116 sq.in	196ft	196ft
Twisted cable 2x0.00155 sq.in	262ft	262ft

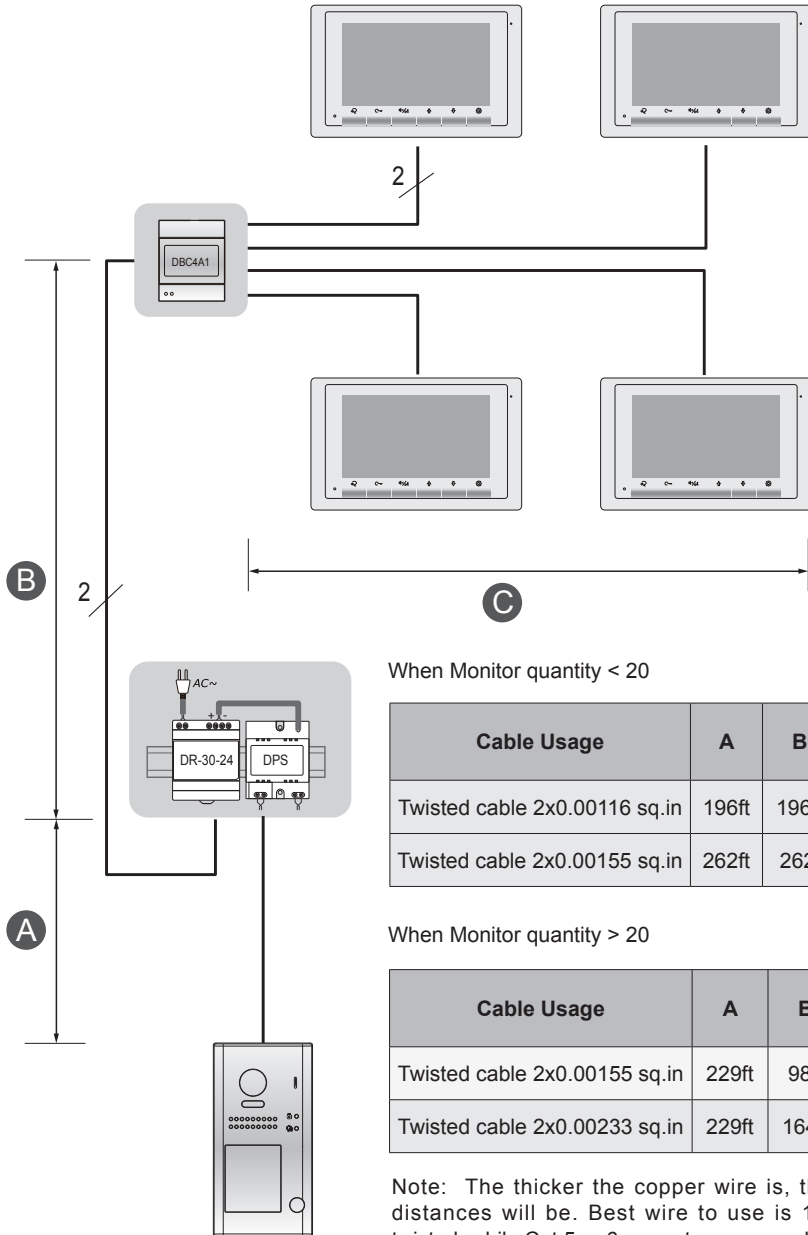
When Monitor quantity > 20

Cable Usage	A	B
Twisted cable 2x0.00155 sq.in	229ft	98ft
Twisted cable 2x0.00233 sq.in	229ft	164ft

Note: The thicker the copper wire is, the longer distances will be. Best wire to use is 18 Gauge twisted, while Cat 5 or 6 are not recommended.

APPENDIX

Star Topology Wiring Mode With DBC4A1



FOR TECHNICAL SUPPORT CALL
1516-387-6606 FROM 9AM TILL 4PM
MONDAY THRU FRIDAY
OUR WEBSITE WWW.NYWINT.COM

DT-ENG-DT607C/ID-V1

The design and specifications can be changed without notice to the user. Right to interpret and copyright of this manual are preserved.