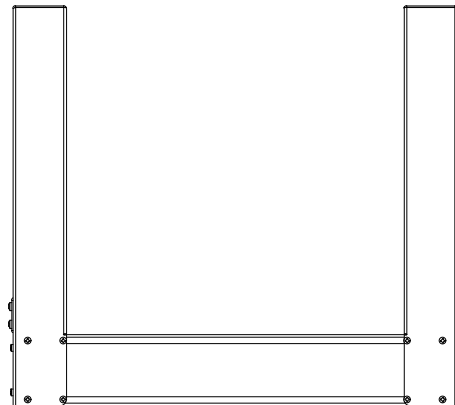
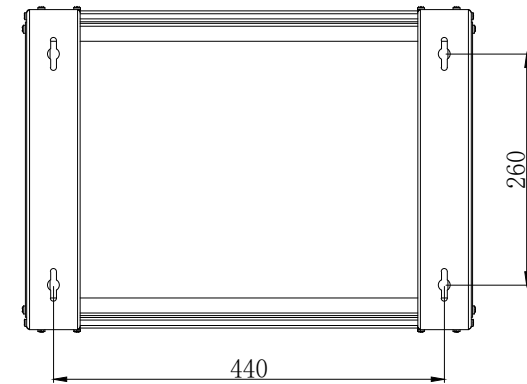
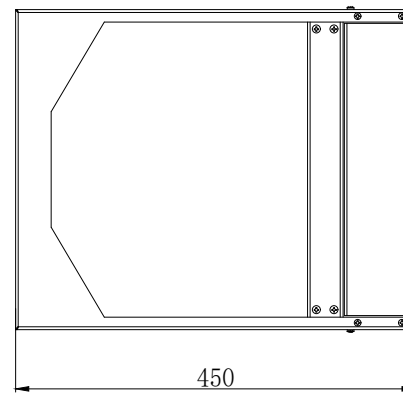
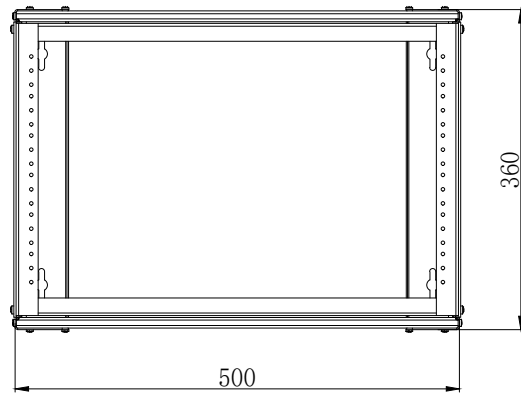


6U Wall Mount Open Frame Specification Sheet



Material:SPCC quality cold rolled steel

Thickness: 1.5mm

Loading Capacity:Static loading:30 KGS

Surface finish:
Degreasing, Pickling, Phosphating, Powder Coated

Certificate:CE