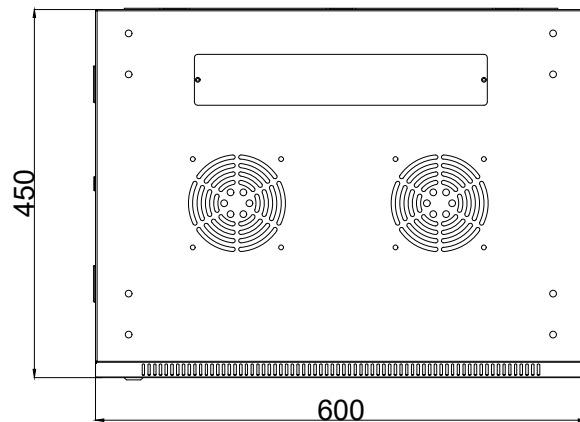
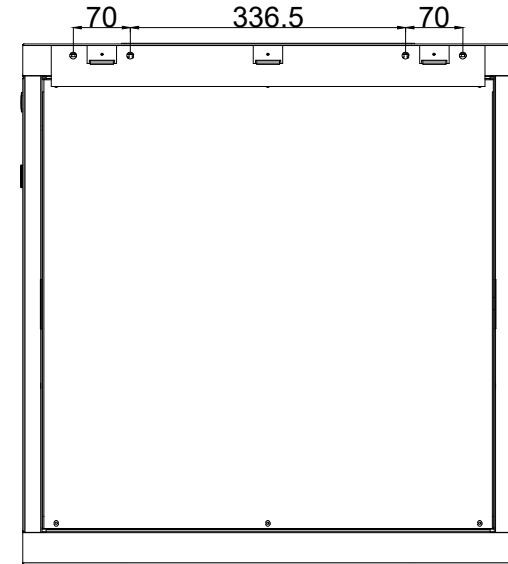
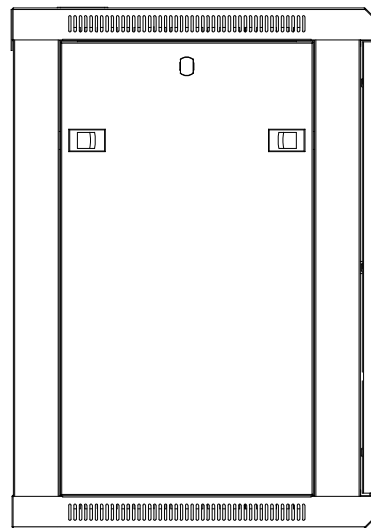
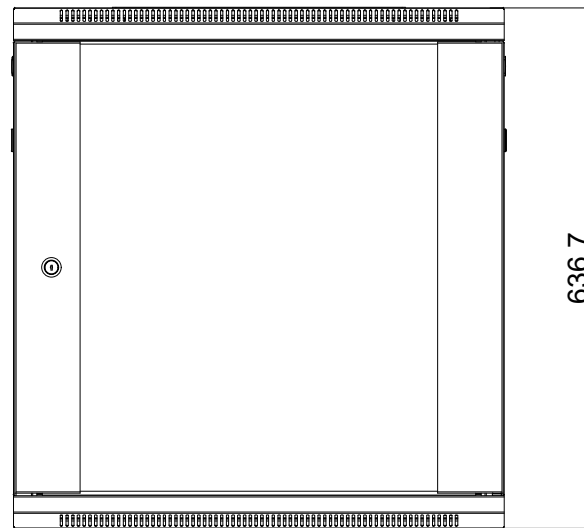


Unassembled 12U wall cabinet Specification Sheet



Material :

SPCC quality cold rolled steel

Thickness: Mounting profile:1.2mm:other:1.0mm

Loading Capacity:

Static loading:60 KGS

Degree of protection:

IP20

Surface finish:

Degreasing, Pickling, Phosphating, Powder Coated

Certificate:CE